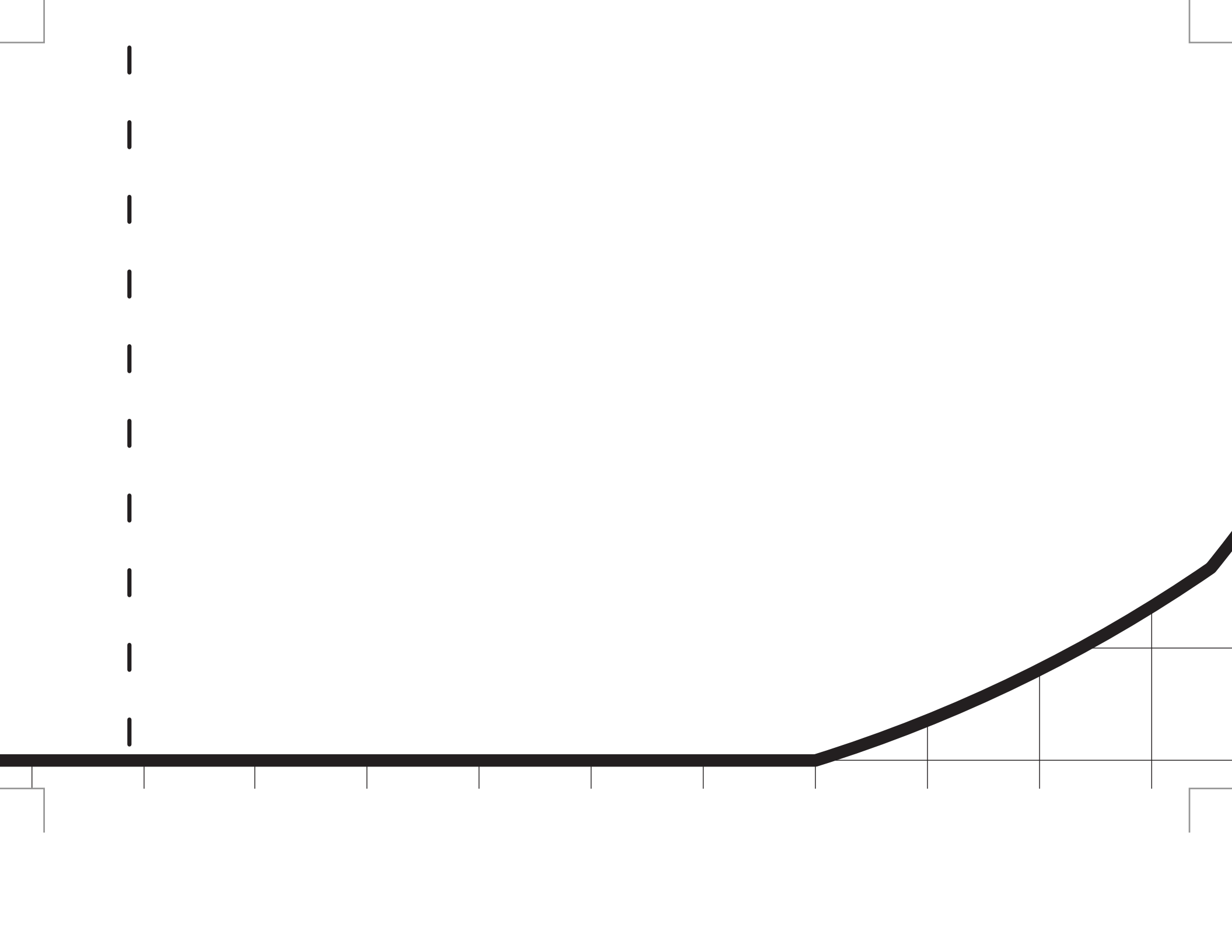
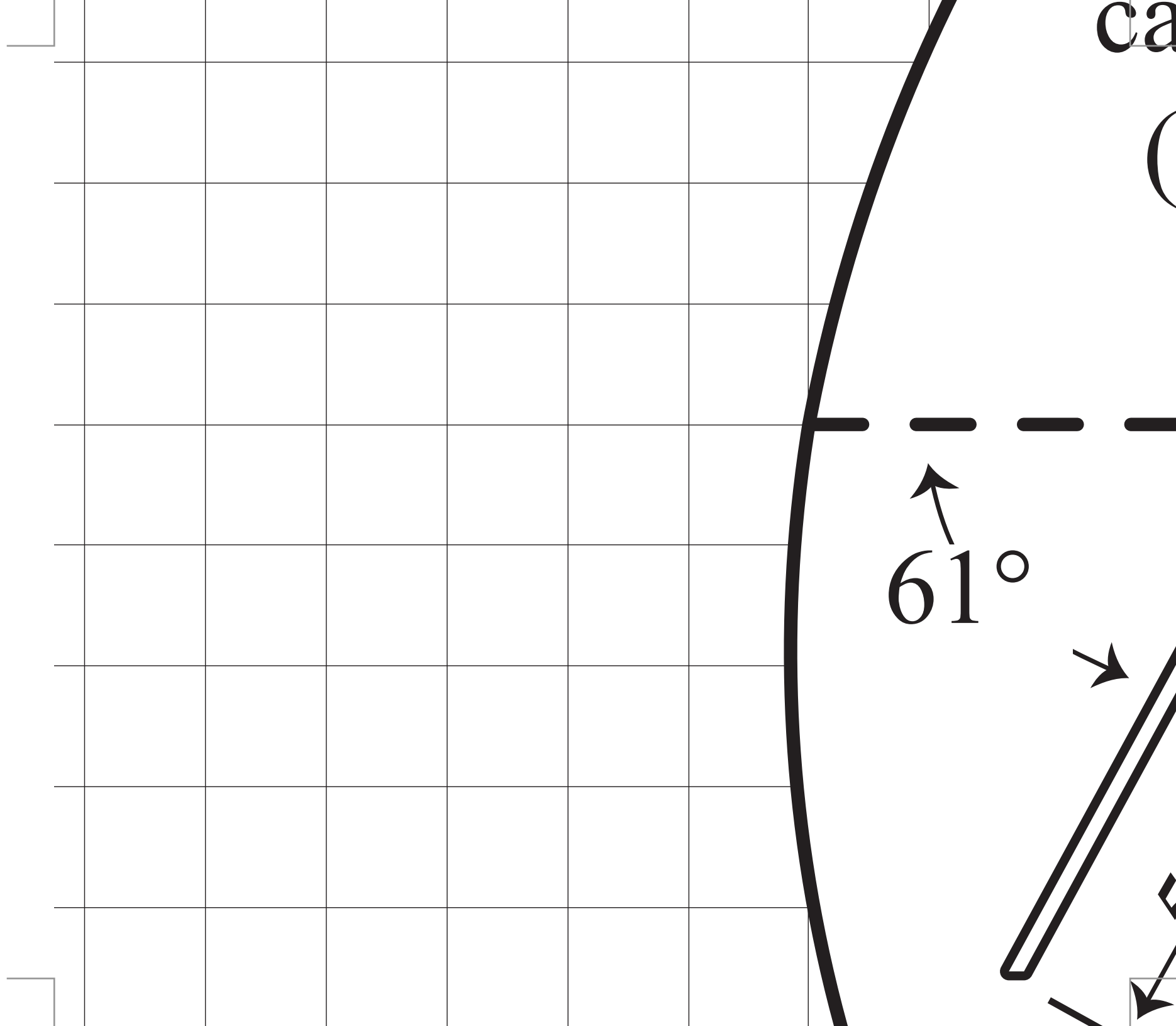


11"/28cm









ca

(

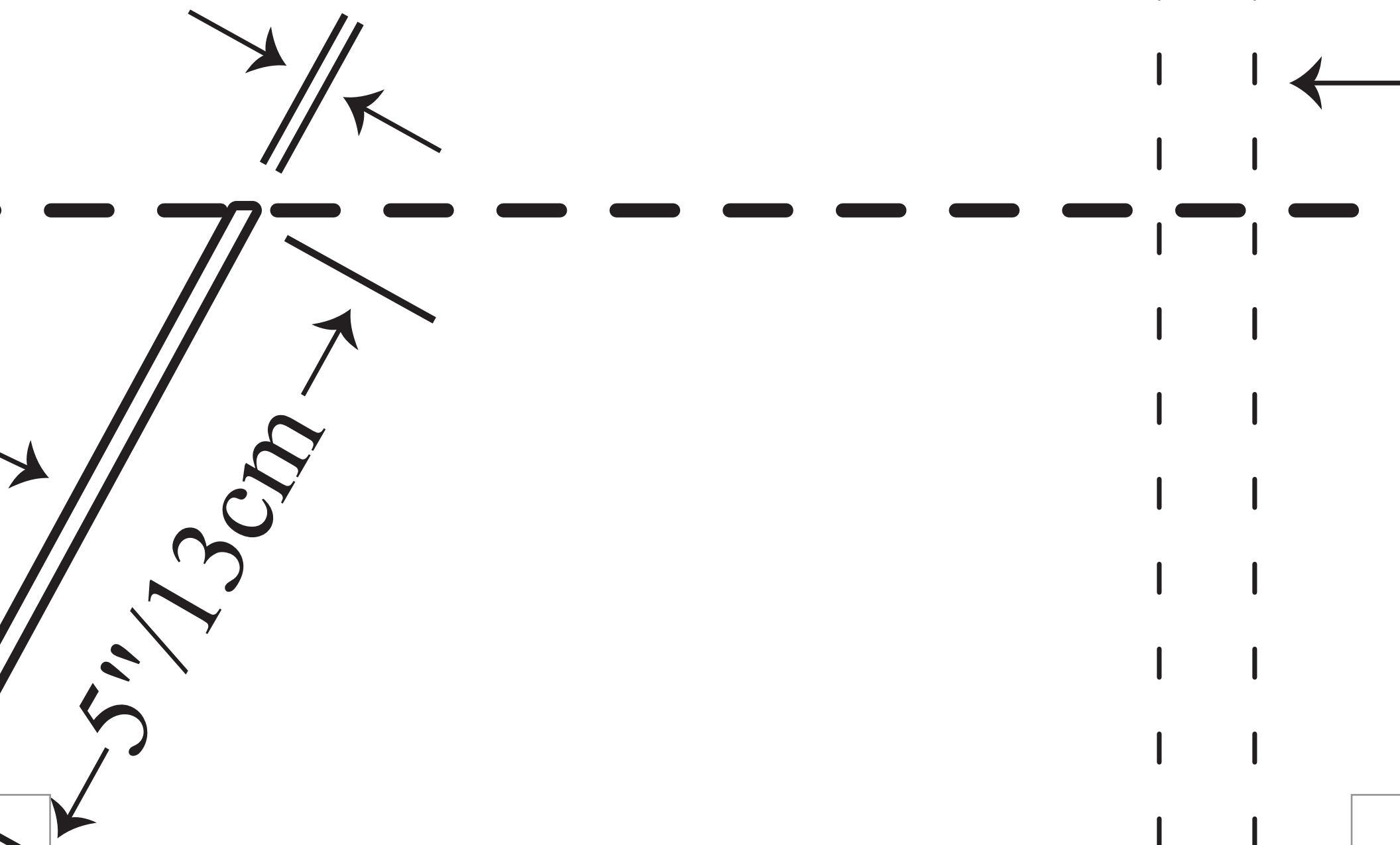
61°

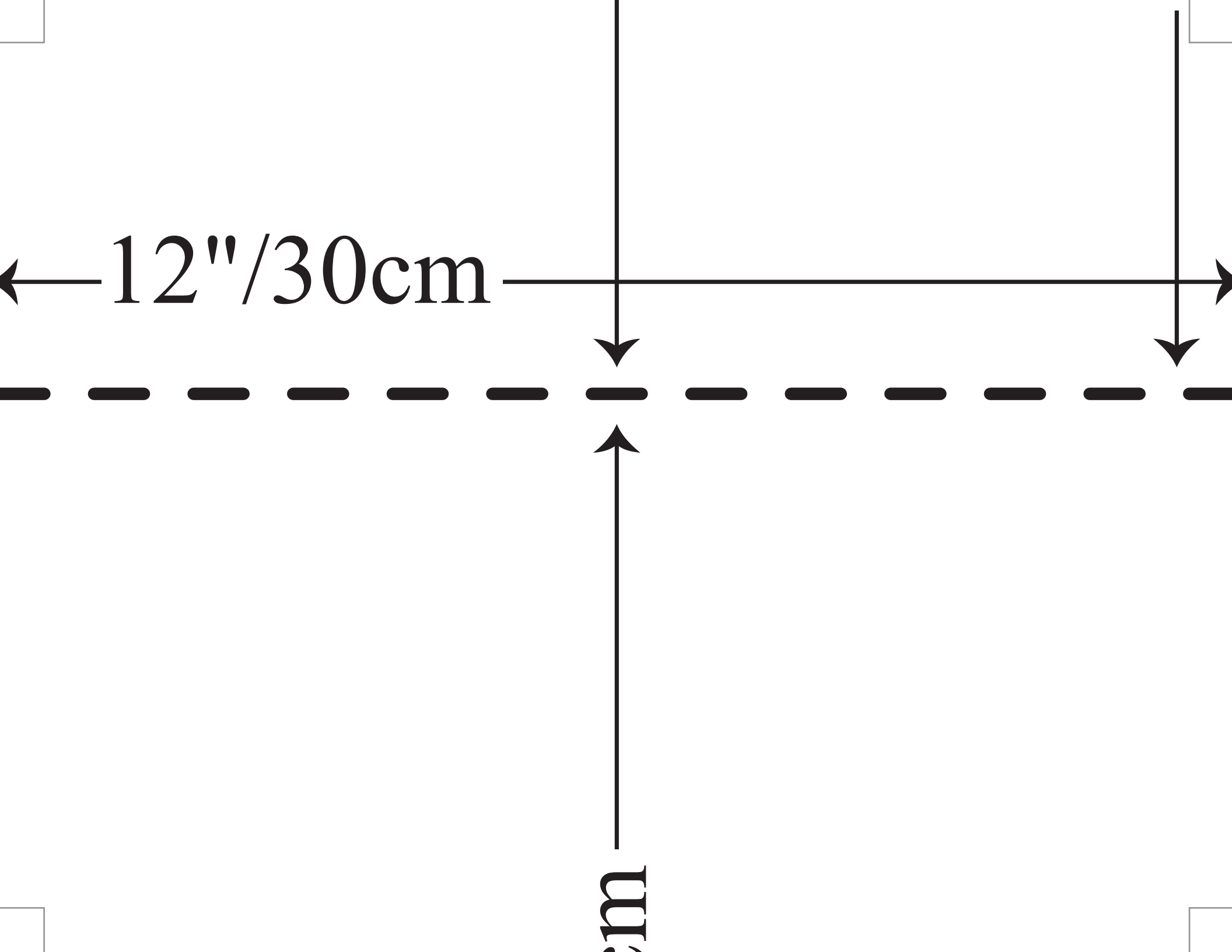


E



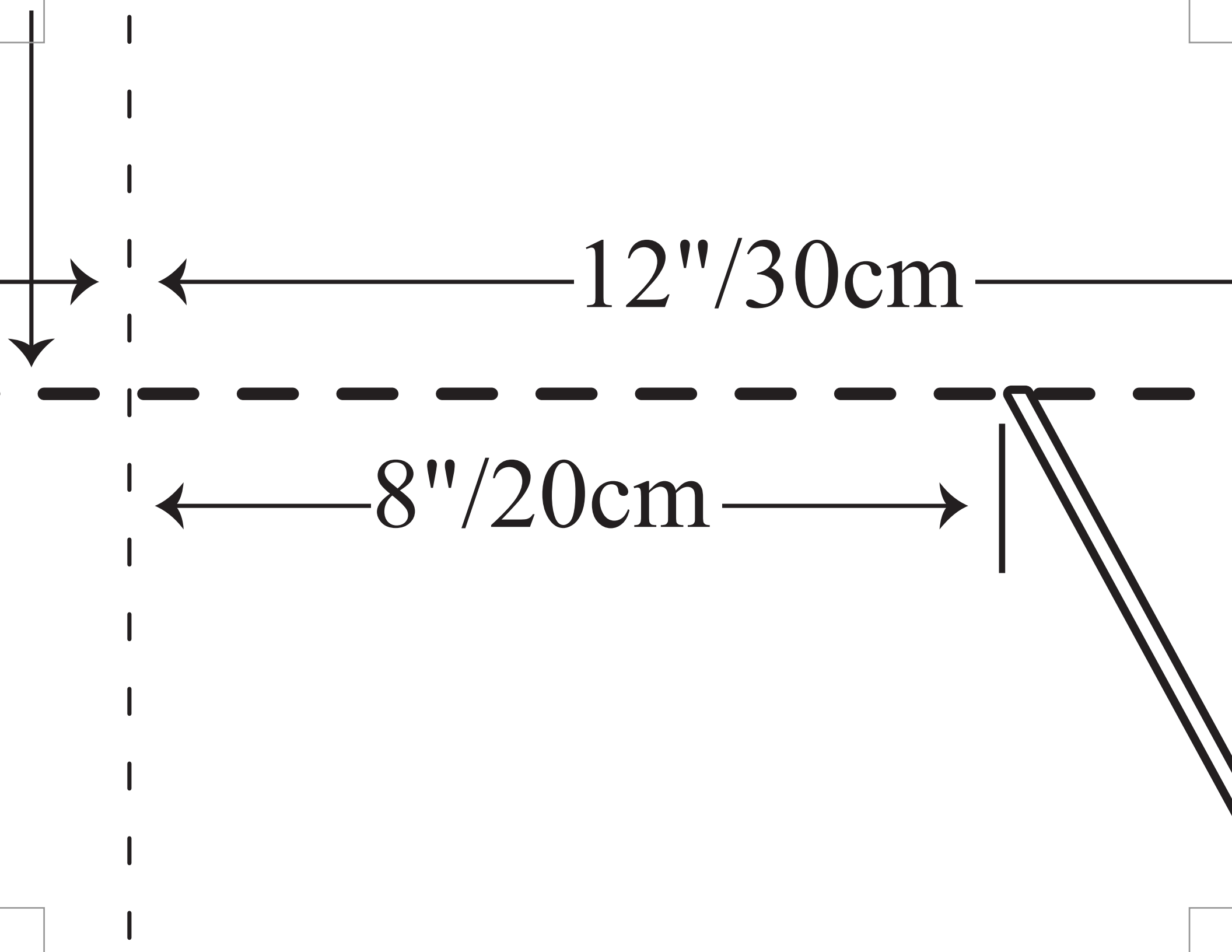
cardboard thickness
(about $\frac{1}{8}$ "/0.3cm)





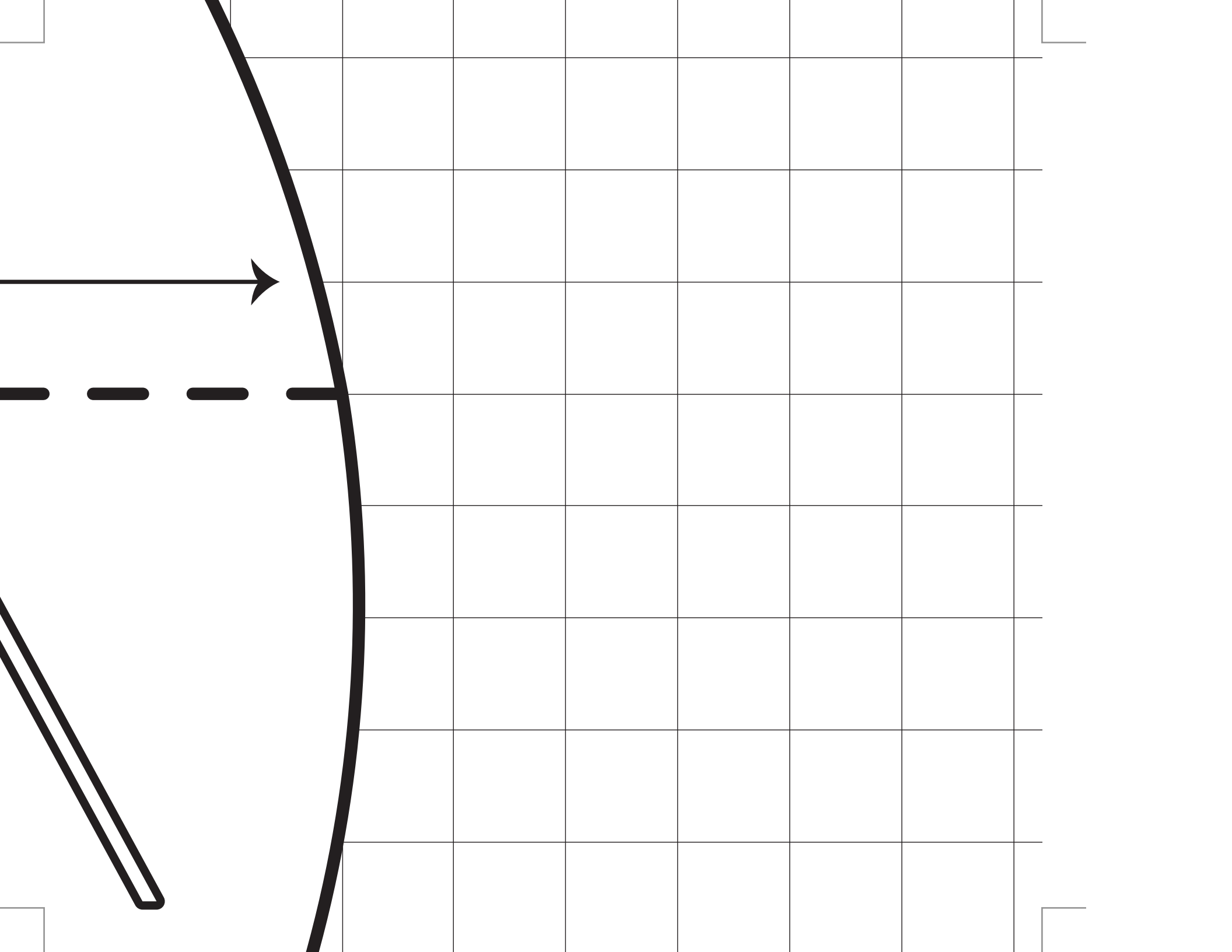
$12''/30\text{cm}$

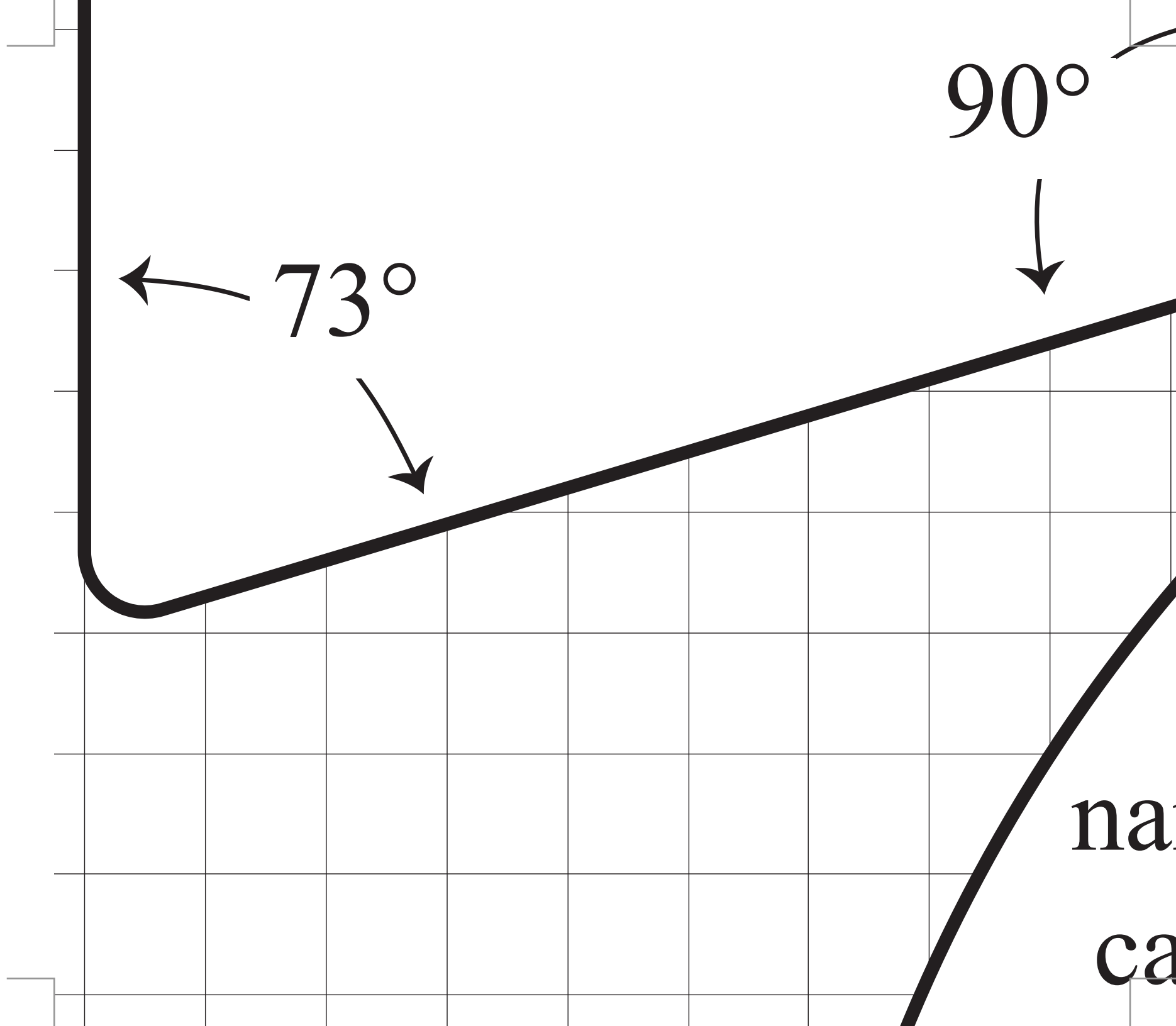
3cm

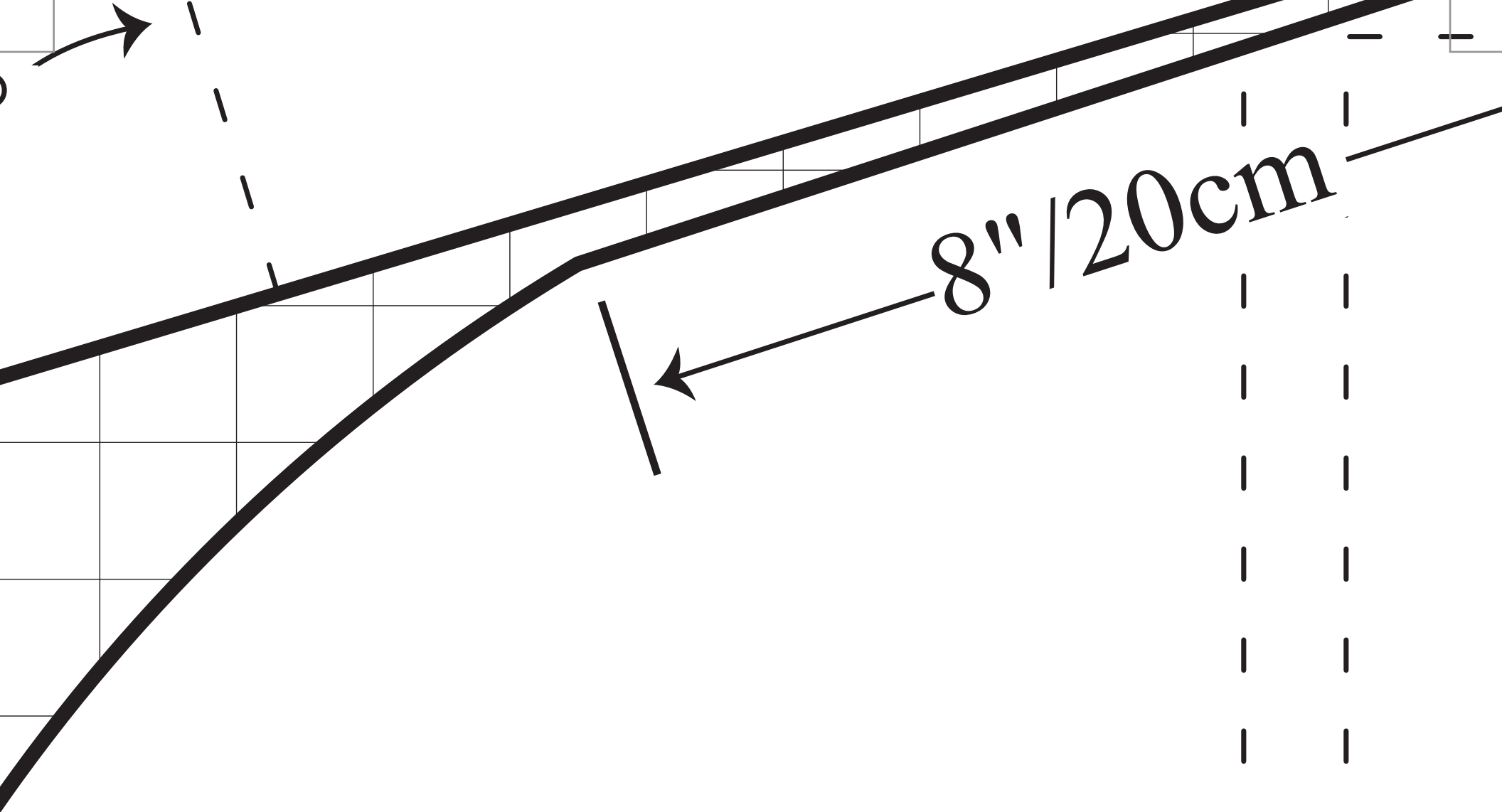


$12''/30\text{cm}$

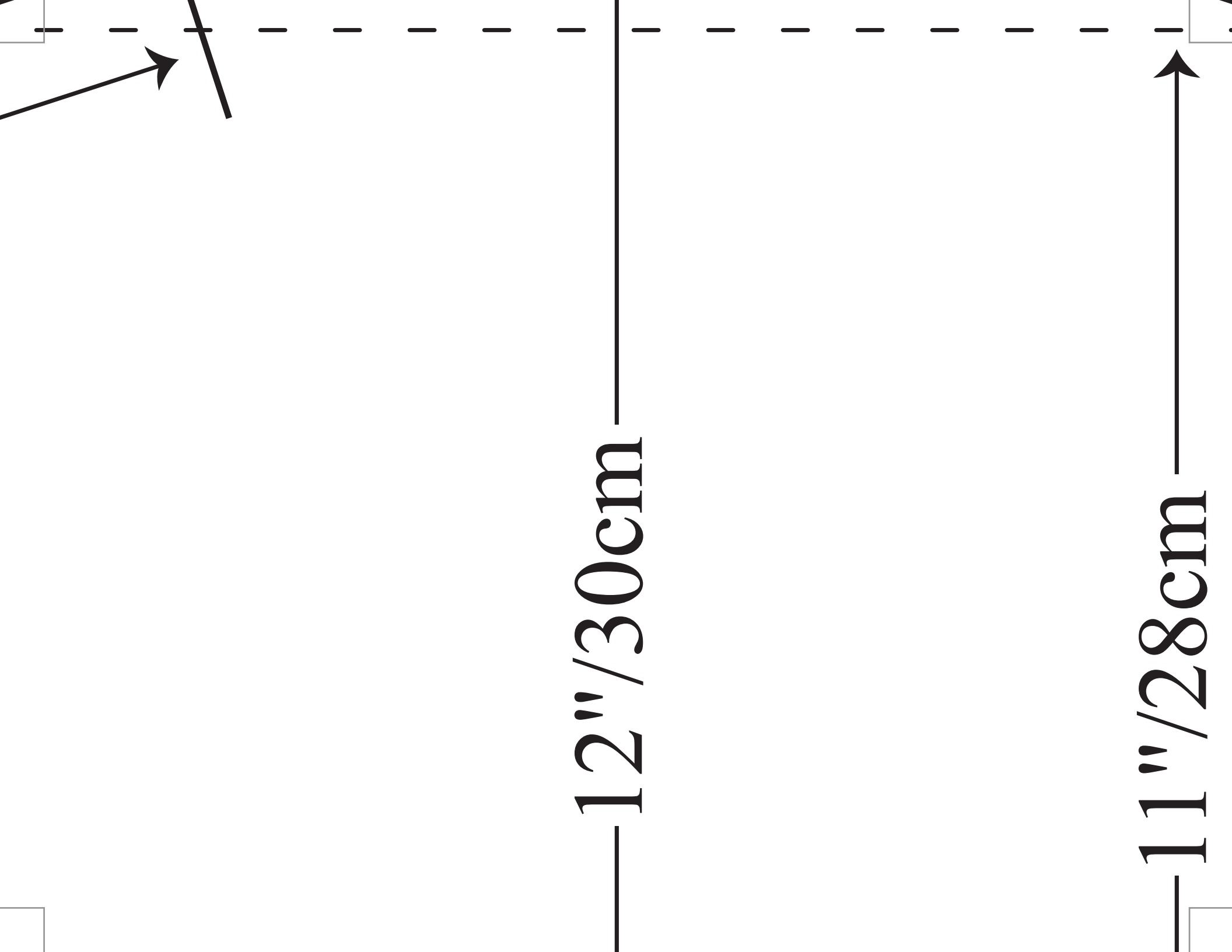
$8''/20\text{cm}$





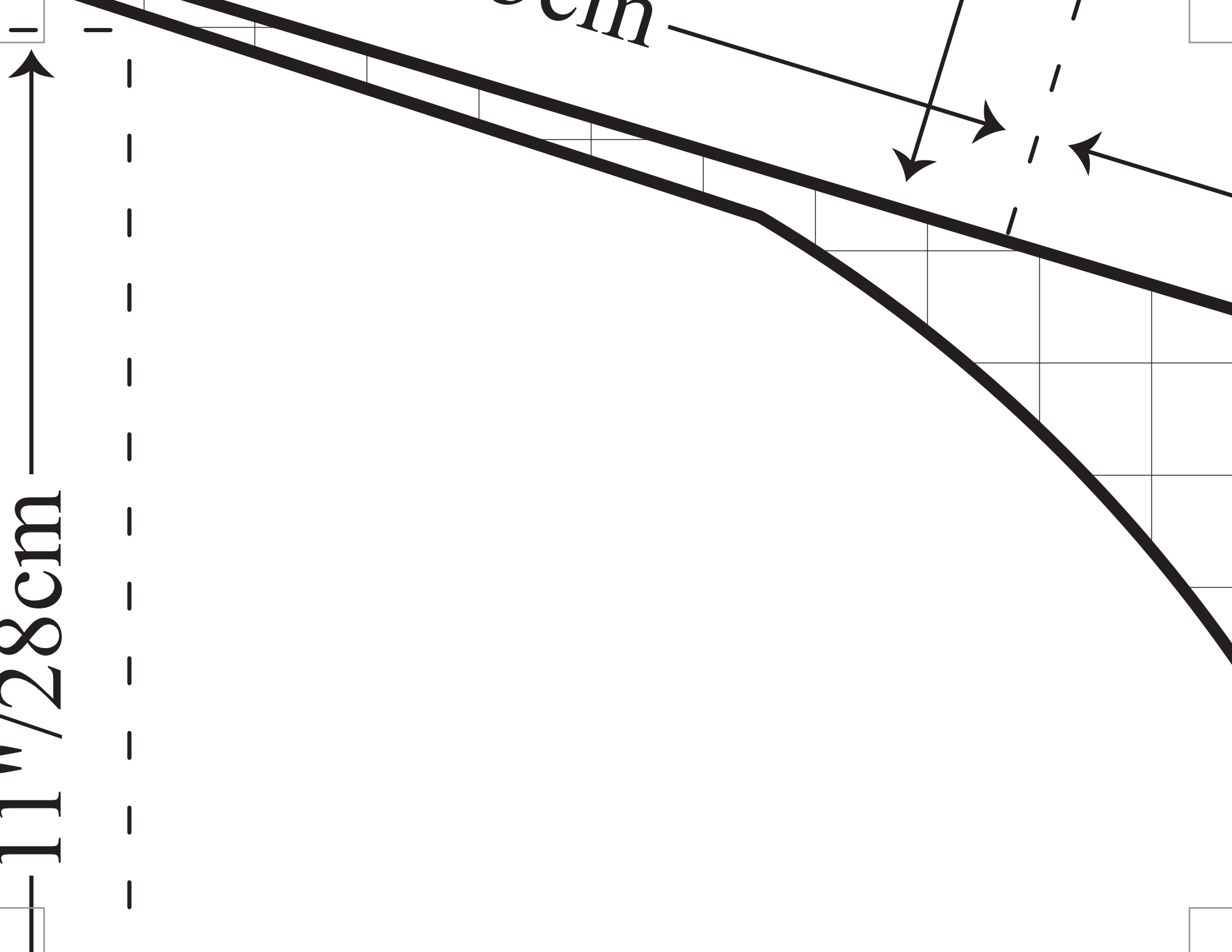


narrow slot, width of
cardboard thickness

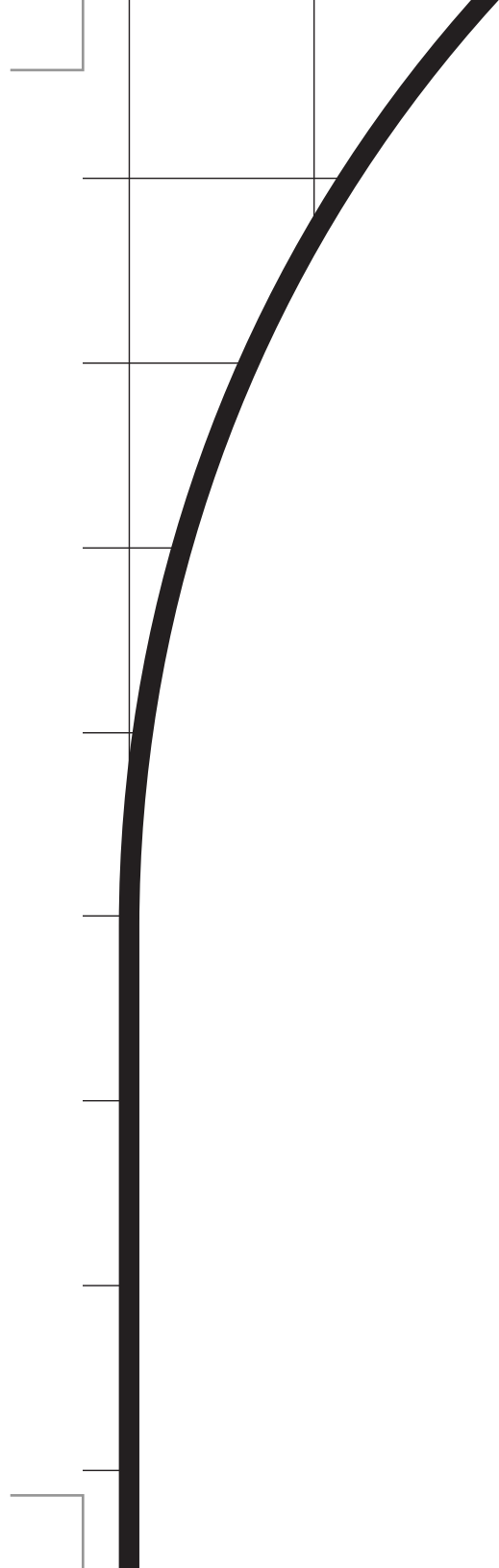


$12''/30\text{cm}$

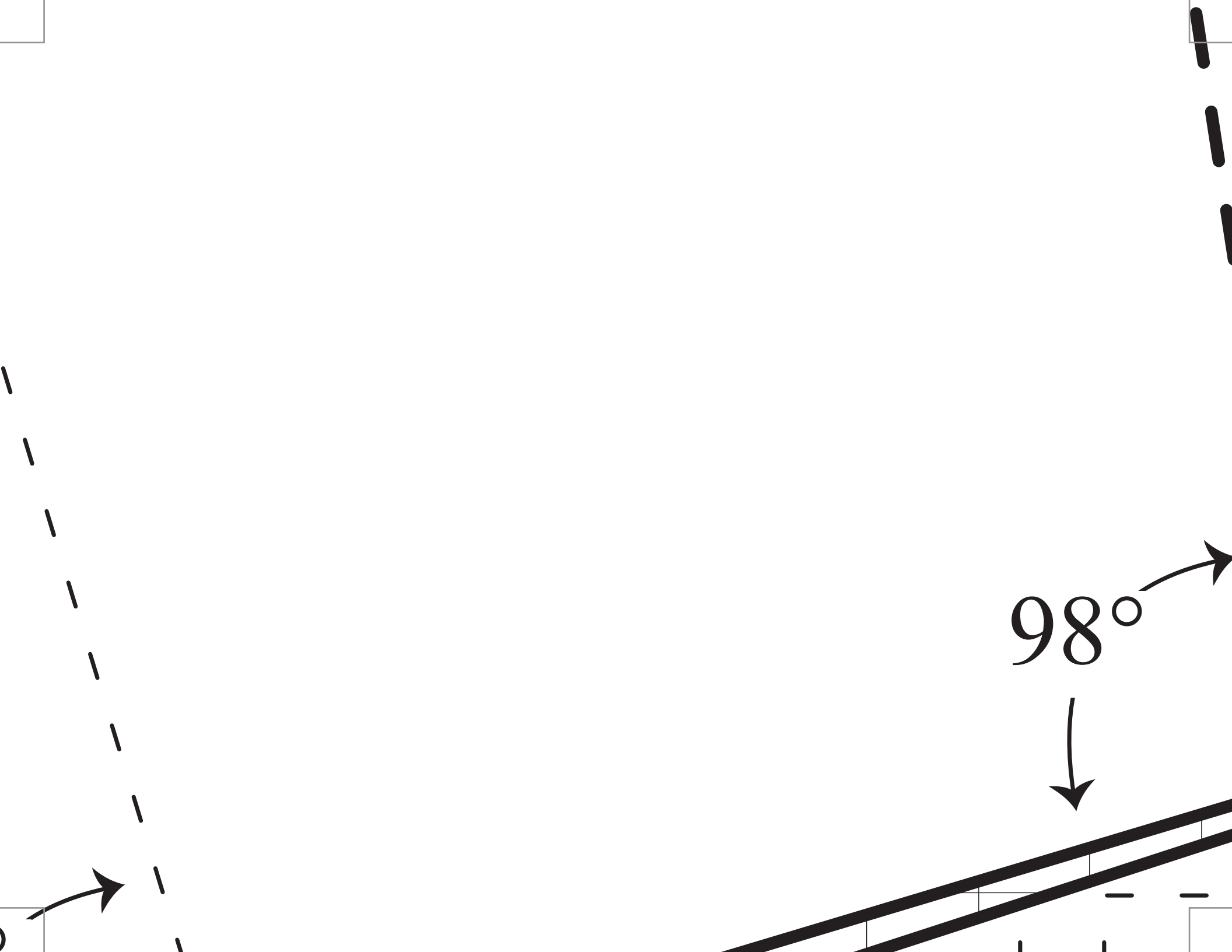
$11''/28\text{cm}$

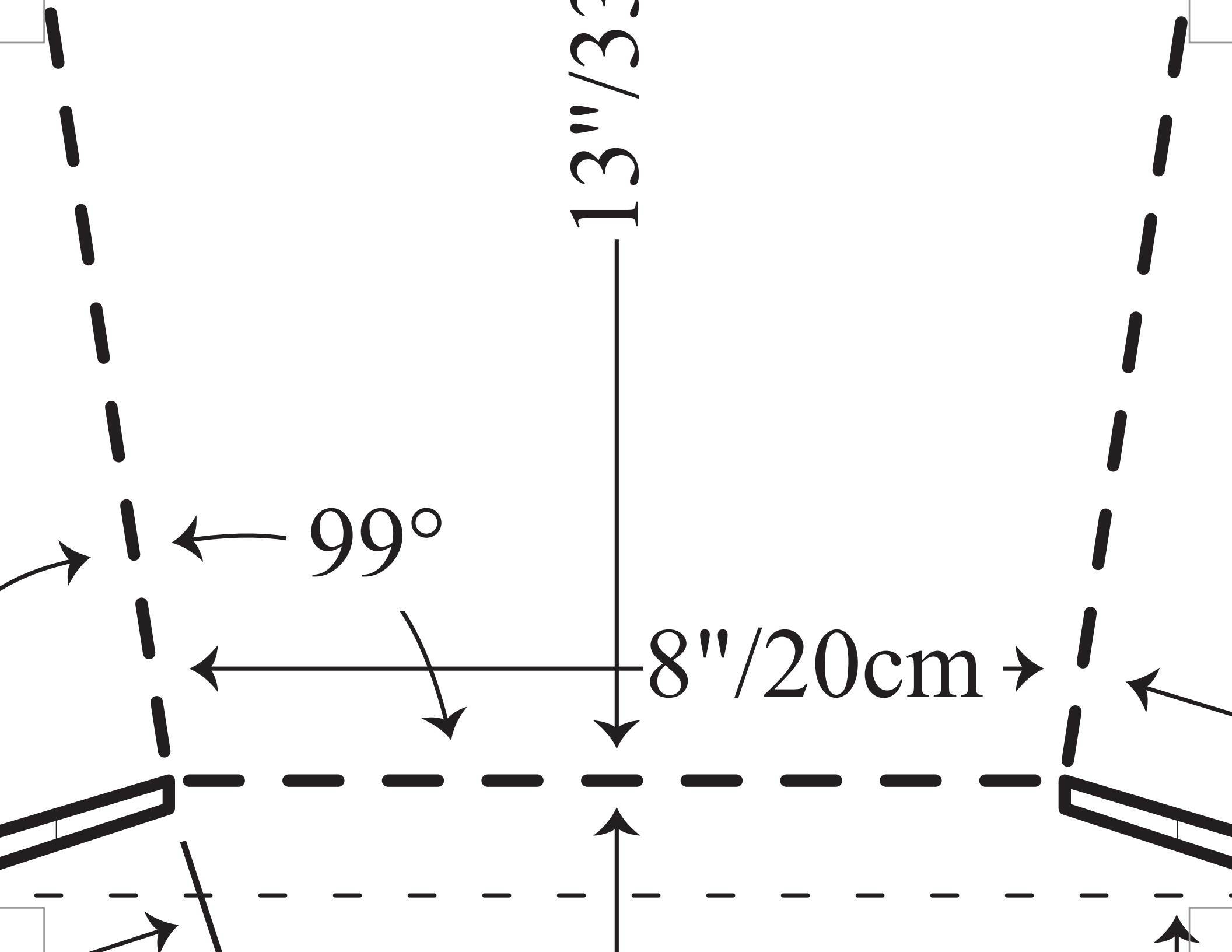


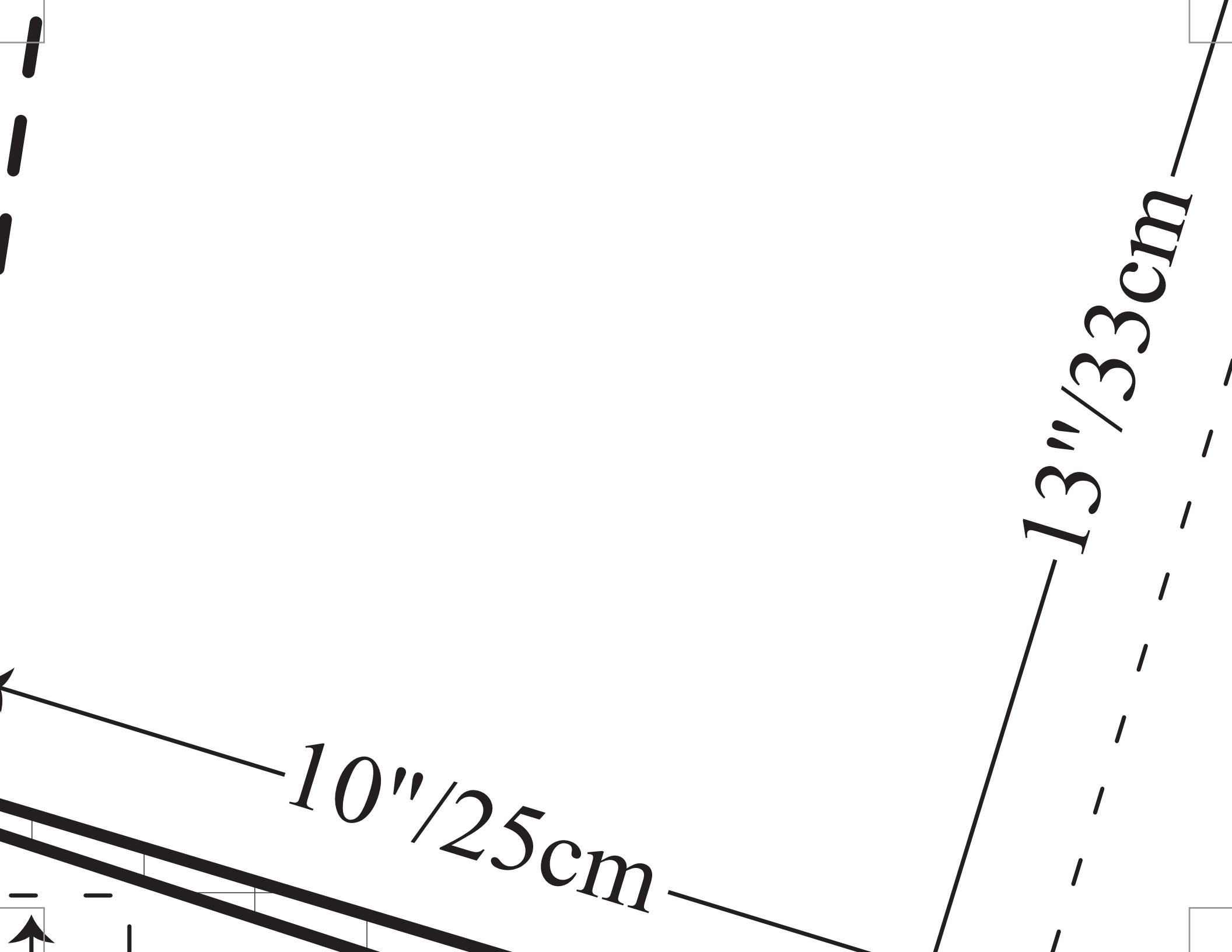
11"/28cm



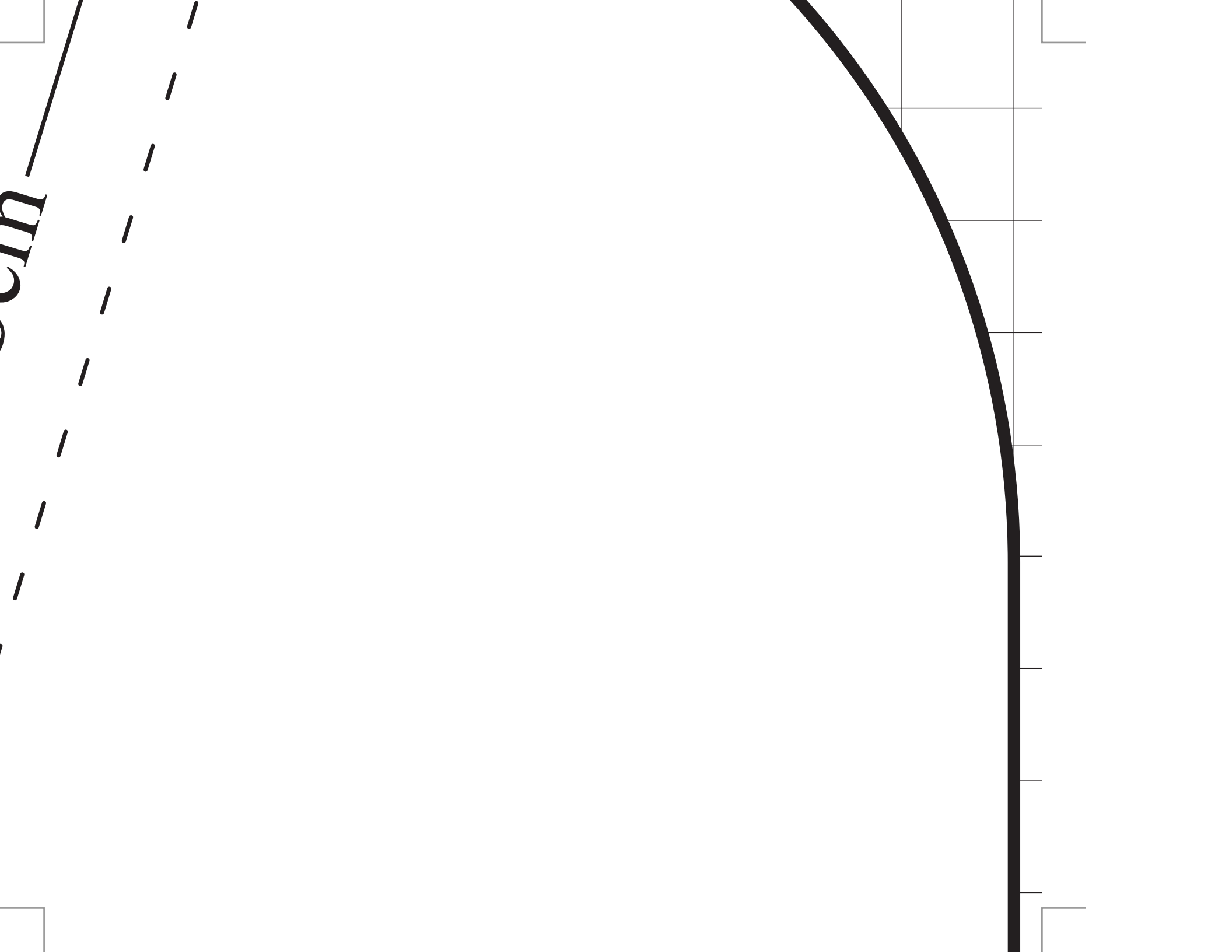
00°

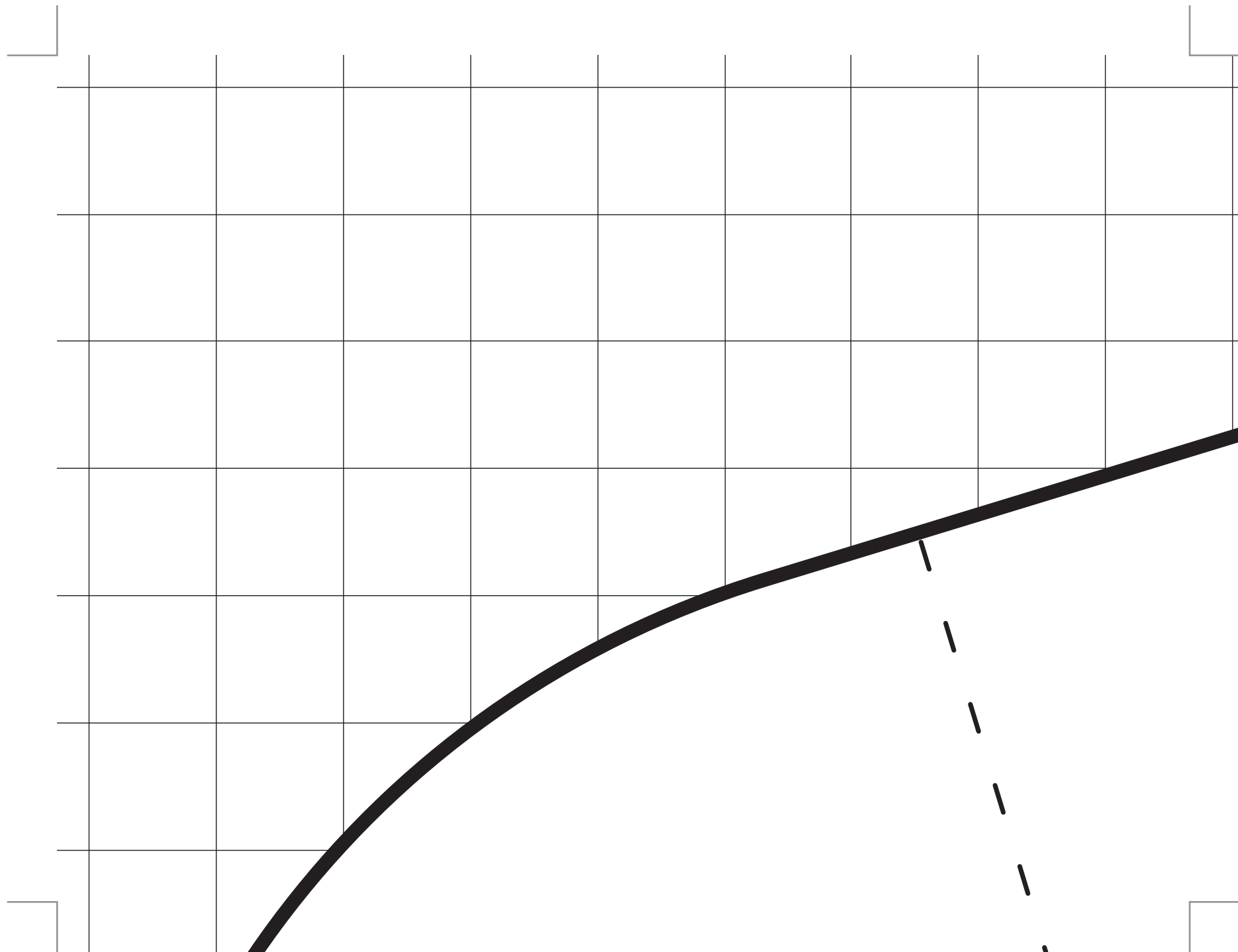


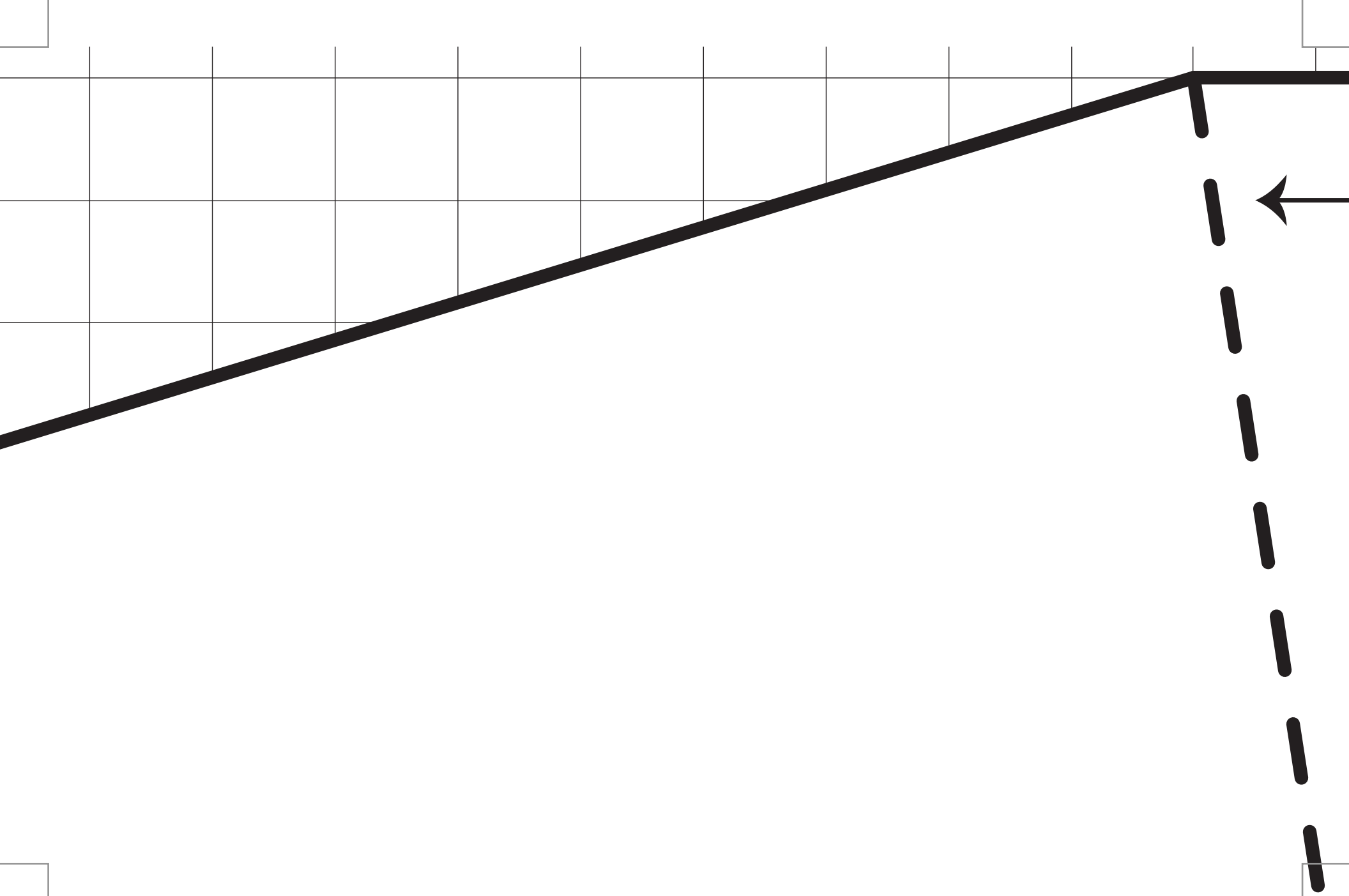


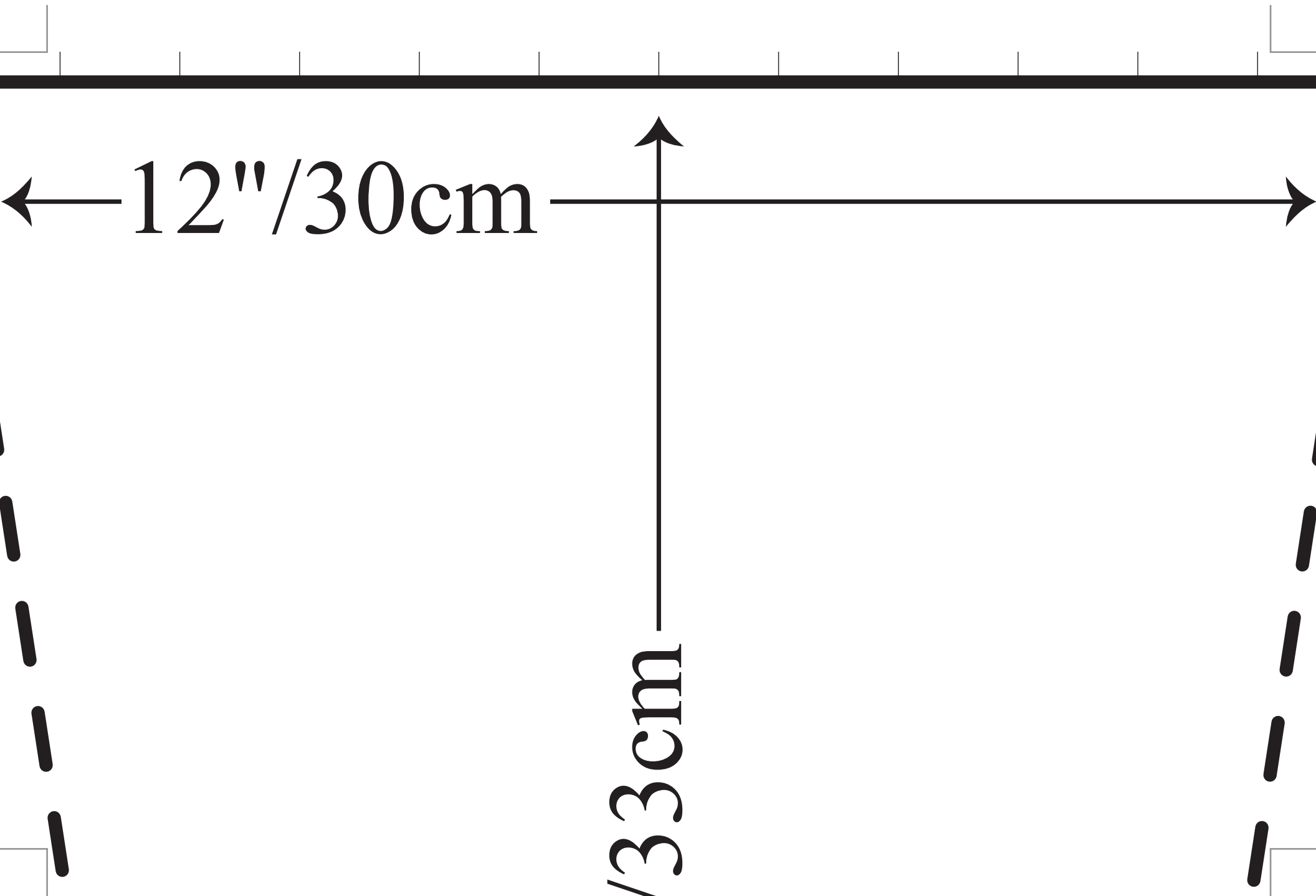


cin



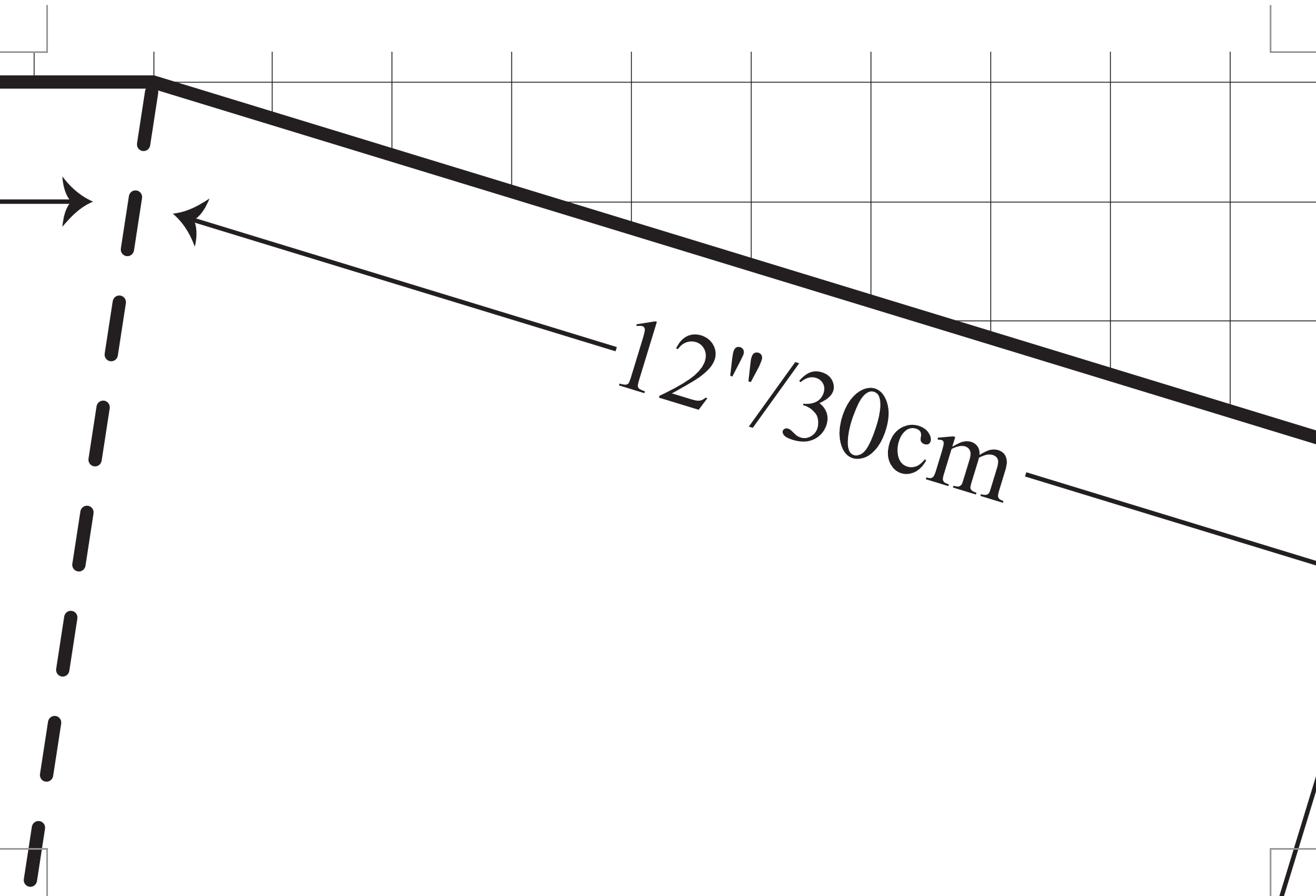






← 12"/30cm →

33 cm



12"/30cm

